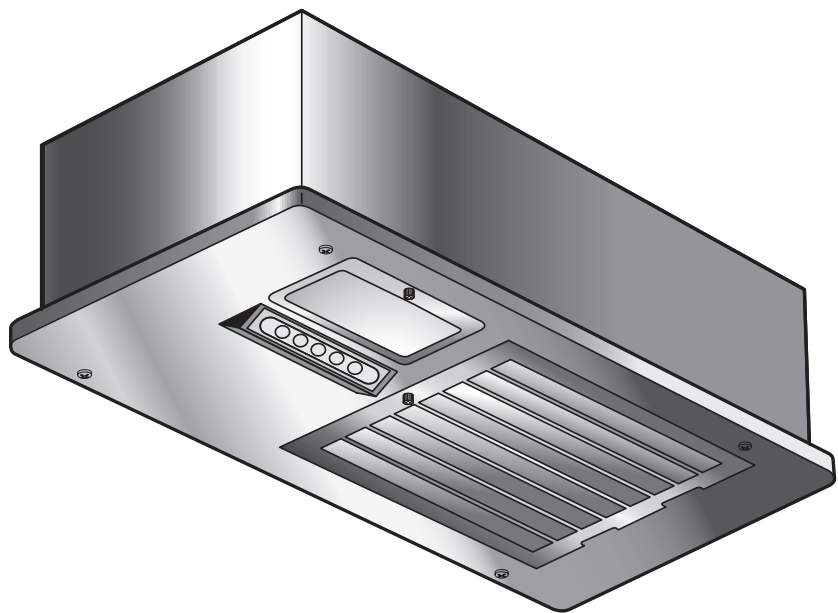




# Installation Manual

## RANGE HOOD

MODEL: BUF-03R



### TABLE OF CONTENTS

Safety Instructions .....	2
Name of Parts .....	4
Size & Dimensions .....	4
Range Hood Location .....	5
Installation .....	6
1. Preparation .....	6
2. Range Hood Mounting .....	9
3. Connecting Power Supply Wires .....	11
4. Final Assembly and Check .....	13
5. Explanation to the End User .....	14
Circuit Diagram .....	14

**READ AND SAVE THESE INSTRUCTIONS.**

Keep this manual in a convenient place for future reference.

**FUJI INDUSTRIAL CO., LTD.**


# SAFETY INSTRUCTIONS


Before installation and operation, read these instructions carefully and use this product only in the manner described by the manufacturer in the operation manual.

The instruction shown below are used to alert you to potential personal injury and property damage hazards.

There are three hazard classifications based on potentially dangerous situations.








Obey all safety instructions that show these symbols to avoid possible injury, death and property damage.

 **WARNING:** WARNING indicates a potentially hazardous situation which, if not avoided, could result in death or serious injury.








 **CAUTION:** CAUTION indicates a potentially hazardous situation which, if not avoided, may result in minor or moderate injury.

**CAUTION:** CAUTION used without the safety alert symbol indicates a potentially hazardous situation which, if not avoided, may result in property damage.

## **WARNING**

	<p>1. TO REDUCE THE RISK OF FIRE, ELECTRIC SHOCK, OR INJURY TO PERSONS, OBSERVE THE FOLLOWING:</p> <p>a) Use this unit only in the manner intended by the manufacturer. If you have questions, contact the manufacturer.</p> <p>b) Before servicing or cleaning the unit, switch power off at service panel and lock the service disconnecting means to prevent power from being switched on accidentally. When the service disconnecting means cannot be locked, securely fasten a prominent warning device, such as a tag, to the service panel.</p>
	<p>2. To reduce the risk of fire or electric shock, do not use this product with any solid-state speed control device.</p>
	<p>3. TO REDUCE THE RISK OF FIRE, ELECTRIC SHOCK, OR INJURY TO PERSONS, OBSERVE THE FOLLOWING:</p> <p>a) Installation work and electrical wiring must be done by a qualified person(s) in accordance with all applicable codes and standards, including fire-rated construction.</p> <p>b) Sufficient air is needed for proper combustion and exhausting of gases through the flue (chimney) of fuel burning equipment to prevent back drafting. Follow the heating equipment manufacturer's guidelines and safety standards such as those published by the National Fire Protection Association (NFPA), and The American Society for Heating, Refrigeration and Air Conditioning Engineers (ASHRAE), and the local code authorities.</p> <p>c) When cutting or drilling into wall or ceiling, do not damage electrical wiring and other hidden utilities.</p> <p>d) Ducted fan must always be vented to outdoors.</p>
	<p>4. TO REDUCE THE RISK OF FIRE, USE ONLY METAL DUCTWORK.</p>
	<p>5. This unit must be grounded.</p>
	<p>6. Install this range hood to a liner. Check that the hood is correctly installed, since incorrect installation could result in the range hood becoming detached and falling off.</p>
	<p>7. Connect only to an AC120 Volt power source or the range hood could result in fire, electric shock, and damage.</p>

 **CAUTION**

- |  |   |
|--|---|
|   | 1. For general ventilating use only. Do not use to exhaust hazardous or explosive material and vapors.  |
|   | 2. To reduce the risk of fire and to properly exhaust air, be sure to duct air outside. Do not vent exhaust air into spaces within walls, ceilings or into attics, crawl spaces or garages. |
|   | 3. Read specification label on this product for further information and requirements.   |
|   | 4. Use only for the purpose of kitchen ventilation.   |
|   | 5. Do not install this range hood in the bathroom or in other wet rooms since electrical shock and damage may result.   |
|   | 6. Fasten the filter and other parts securely. Incorrect attachment may result in personal injury or property damage.   |
|  | 7. Keep your hands and other objects away from the fan while it is in motion. The range hood may injure you or damage itself.   |

**NOTE:** *The safety instructions are explained with the following pictographic symbols.*

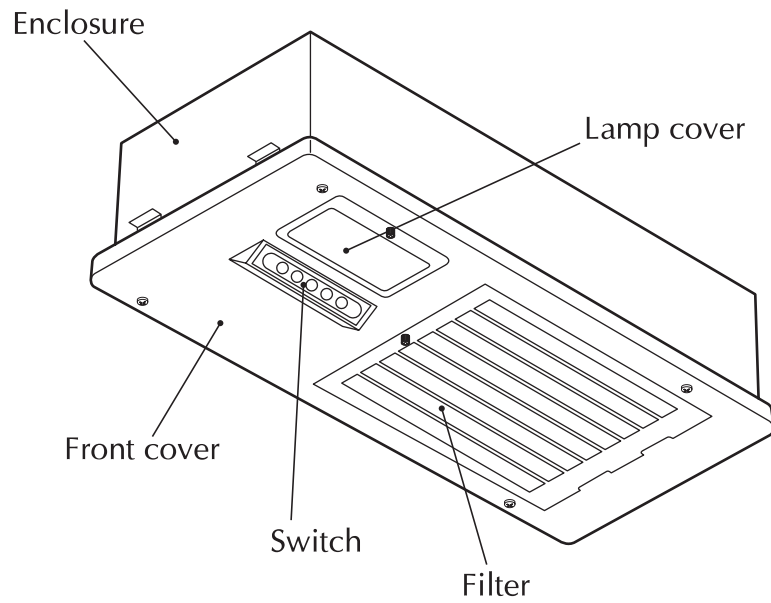


⊘ : means prohibition. It indicates actions, if any, that mustn't be done.

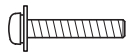


● : means forcible execution. It indicates actions, if any, that must be done.

## NAME OF PARTS



### - Accessories -

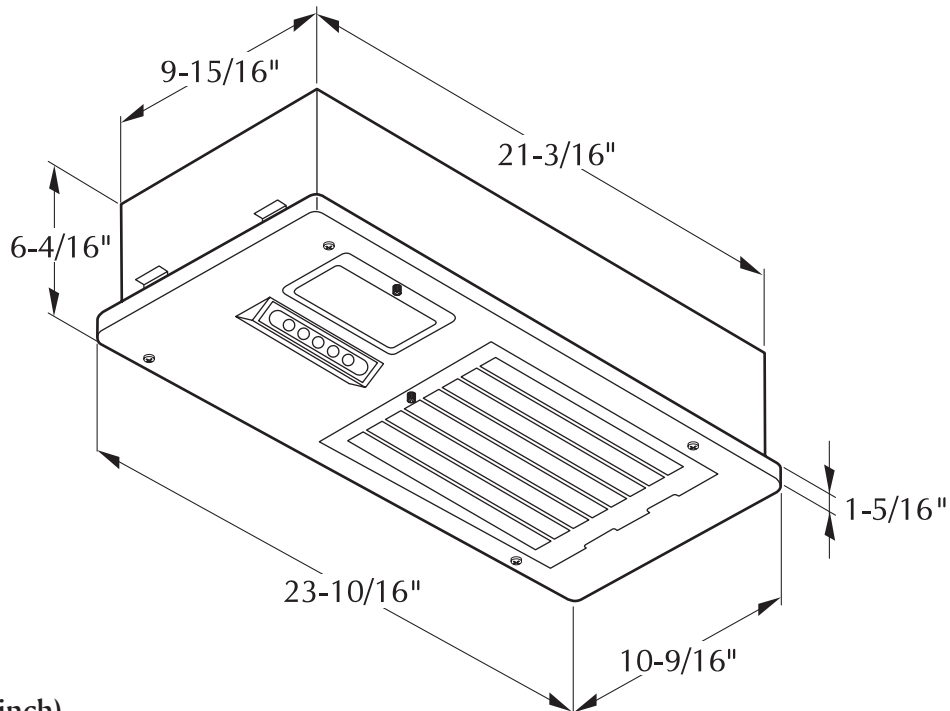


Screw M5×30  
Four (4) pieces



Nut with plate  
Four (4) pieces

## SIZE & DIMENSIONS



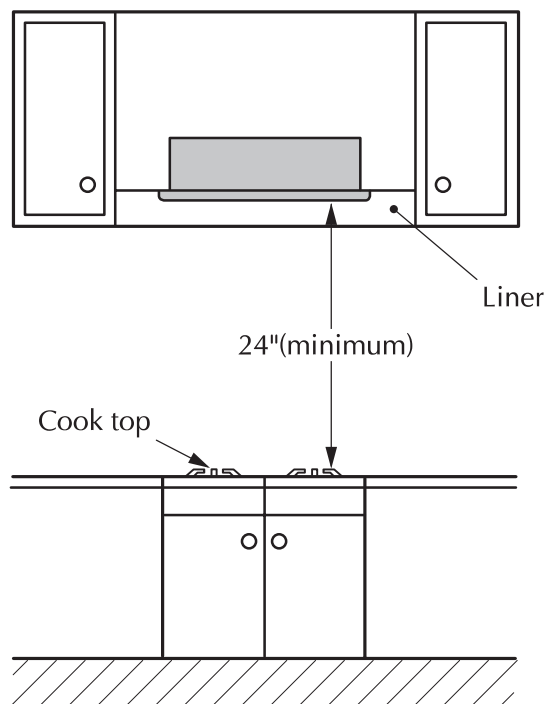
# RANGE HOOD LOCATION

**1** The range hood must be installed just above the cooktop.

**2** The minimum distance from the cooking surface to the bottom of the range hood must be 24".

**3** The total weight of the BUF-03R range hood unit is:  
BUF-03R----- 18 lbs. (8 kg)

**4** Power requirements are:  
AC120 V, 60 Hz, 1.8 Amp



## **!** CAUTION

- Check that the hood is correctly installed, since incorrect installation could result in the detachment of the range hood and the unit could fall off.
- To protect hands from injury, wear working gloves when installing the range hood.

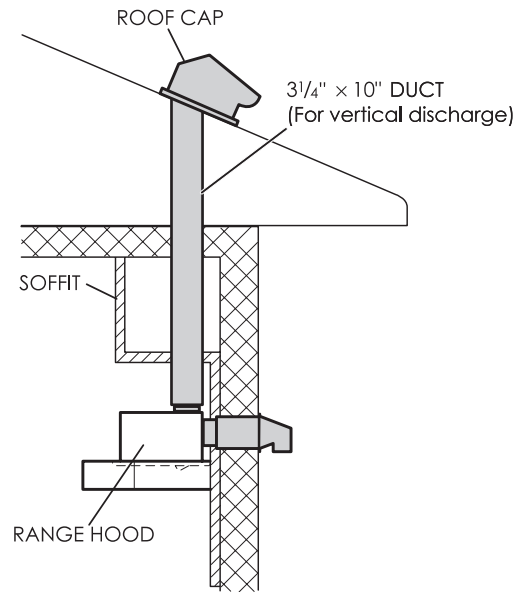
# INSTALLATION

## 1. PREPARATION

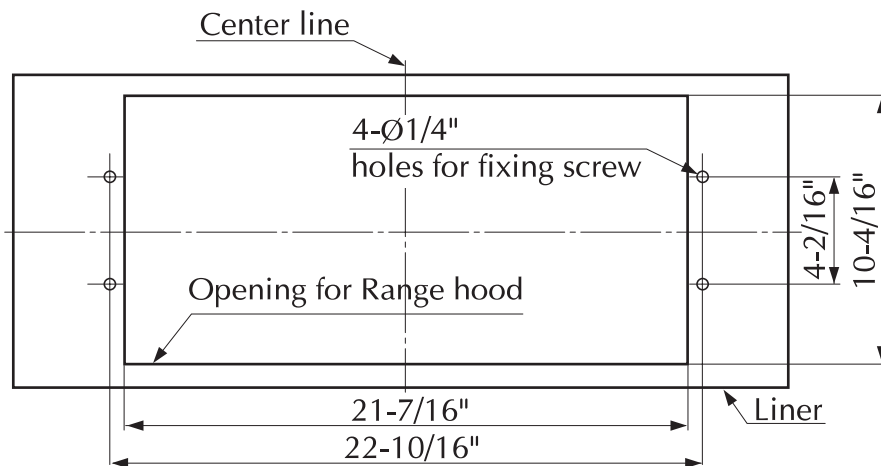
### WARNING

- If the range hood is not installed properly, it could become detached and fall off.
- Ensure that the metal duct does not touch other metal housing materials, otherwise fire or electric shock could result.

**1** This range hood can discharge upward or backward. According to the conditions where the hood is installed, determine whether it will discharge vertically or horizontally ( $3\frac{1}{4}'' \times 10''$  duct). For vertical or horizontal discharge, run duct work between the hood location and a roof cap or wall cap. For the best results in either directions, use a minimum number of transitions and elbows. Be sure to attach a roof cap or wall cap to avoid leaking rain in the end.



**2** The range hood unit must be mounted to a liner which has the following dimensions. Install the liner securely after checking that the opening size of the liner is the same as the figure below.



### CAUTION

The liner should be installed tightly. If the liner installation is not correct, the range hood unit may become detached and fall off.

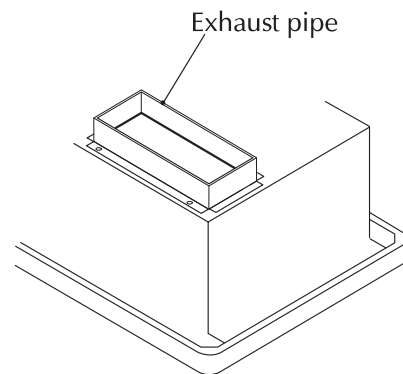
## INSTALLATION (continued)

3 Run house wiring between service panel and hood location.

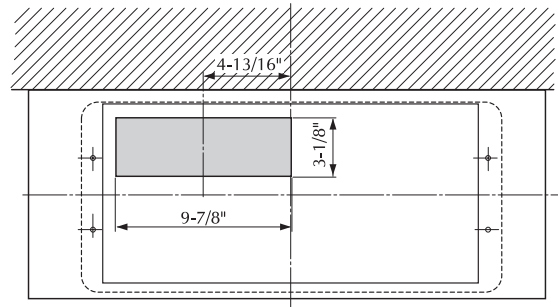
4 Prepare the range hood unit.

### ■ In case of Vertical Discharge

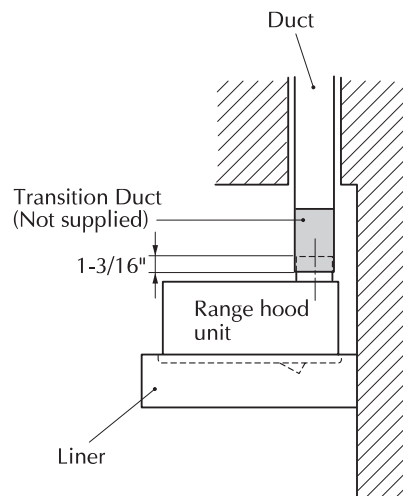
(1) The range hood is supplied with the exhaust pipe fixed on its top plate.



(2) Provide a transition duct (not supplied) to connect the exhaust pipe and external duct. For the size of transition duct, refer to Fig. at right.



(3) Be sure to keep  $1-3/16"$  overlapping length of the exhaust pipe and transition duct when installing.

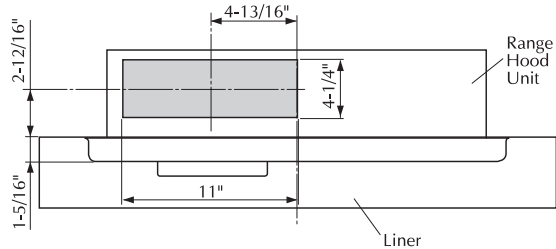


(4) Skip to page 9 for mounting the range hood.

## INSTALLATION (continued)

### ■ In case of Horizontal Discharge

(1) Referring to Fig. at right, provide a rectangular hole in the wall for passing through the exhaust pipe.

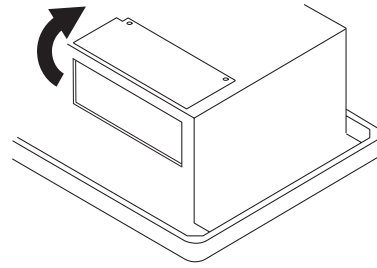


(2) Remove the exhaust pipe from the top of the range hood.

#### **NOTE**

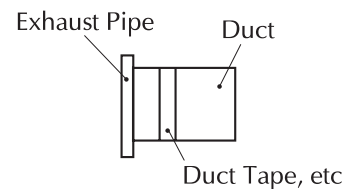
Keep 4 screws (M4×8) for fixing the exhaust pipe later.

(3) Detach the cover plate by removing 2 fixing screws, and attach it as shown in Fig.

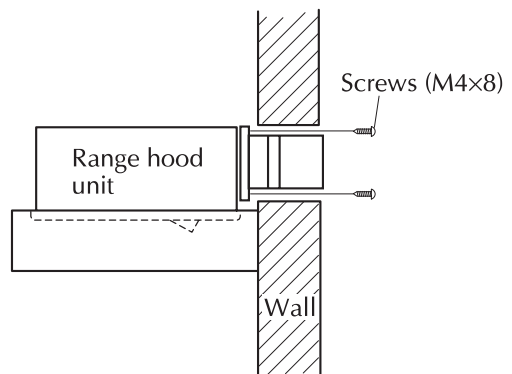


(4) Attach the range hood to the liner. Refer to page 9 for details.

(5) Connect the exhaust pipe with the duct, then make the duct joint secure and air tight using non-flammable tape such as duct tape, etc. (not supplied)



(6) Attach the exhaust pipe to the range hood with 4 screws (M4×8), from outside of the wall.



(7) Connect the duct to outside wall cap. (not supplied)

### **CAUTION**

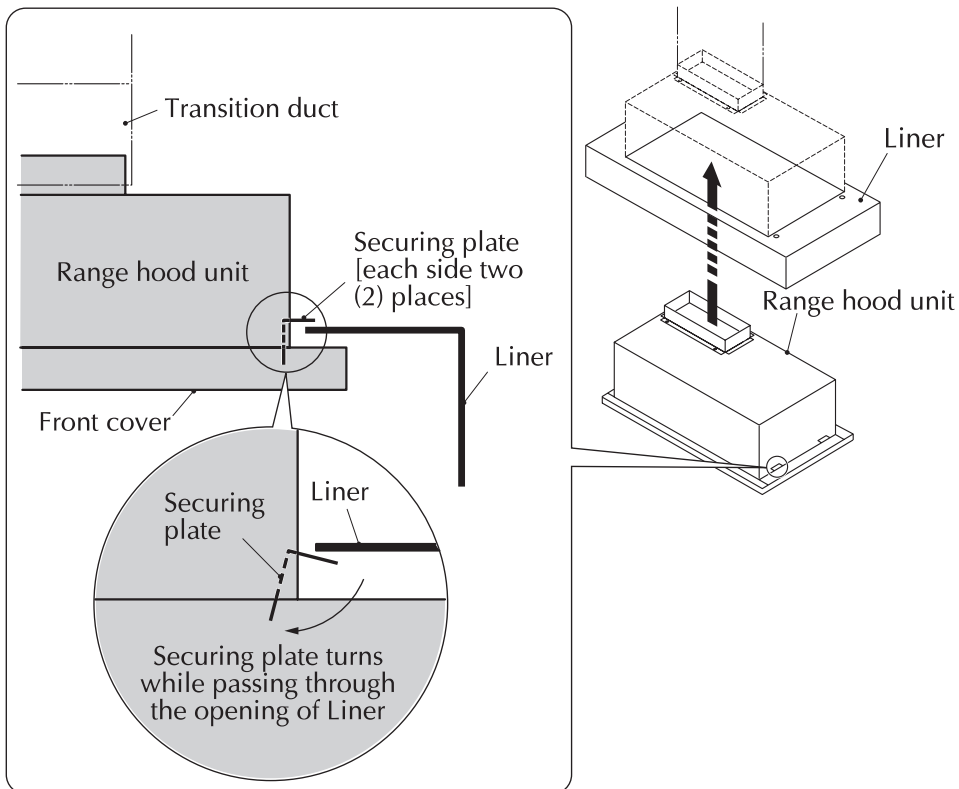
To prevent air or moisture from entering through the wall opening, be sure to install wall insulation to seal around duct work completely.



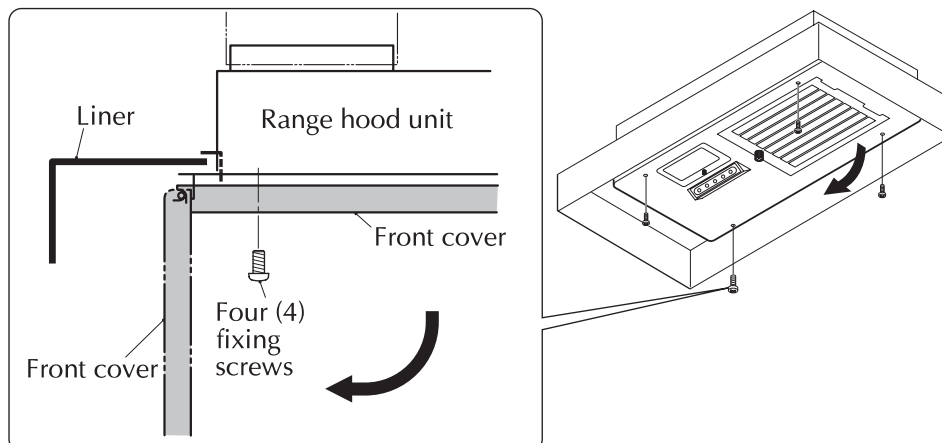
## INSTALLATION (continued)

### 2. RANGE HOOD MOUNTING

- 1 Hold up the range hood unit and insert it into the opening of the liner. When the 4 securing plates on both sides have passed through the top of the liner, turn them outward to secure the range hood on the liner temporarily. Make sure that the top of the exhaust pipe is inserted into the bottom of the transition duct.



- 2 Remove 4 screws which are fixed to the front cover. The front cover swings open 90° as shown in Fig.

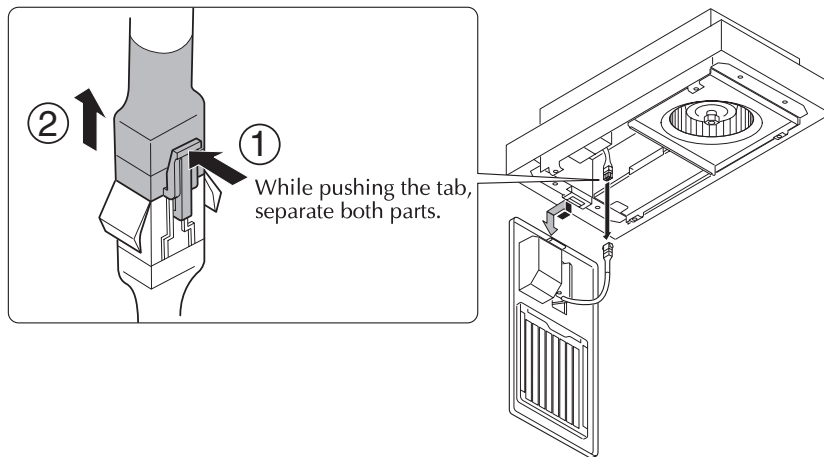


## INSTALLATION (continued)

- 3 Disconnect the wire connector between the push switch assembly and wire box, then detach the front cover by disengaging its hinge part.

**NOTE**

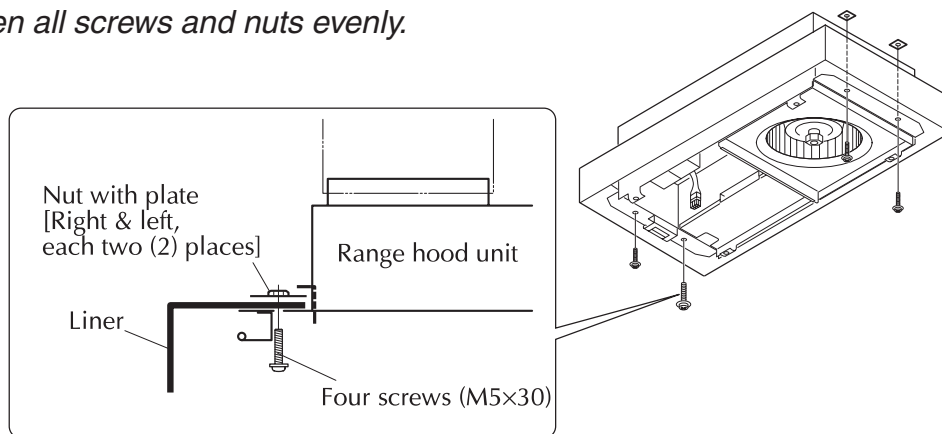
*Be careful not to damage the hinge part.*



- 4 Align 4 screw holes of the liner and range hood unit, then fix securely using the supplied screws (M5×30) and nuts.

**NOTE**

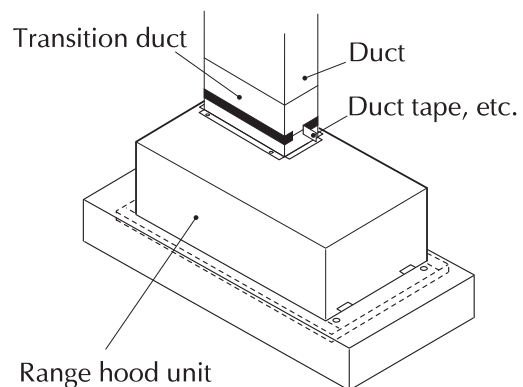
*Fasten all screws and nuts evenly.*



- 5 Make the duct joint secure and air tight using non-flammable tape such as duct tape, etc. (not supplied)

**NOTE**

*Make sure that the shutter installed in the exhaust pipe moves freely.*



## INSTALLATION (continued)

### 3. CONNECTING POWER SUPPLY WIRES

#### **WARNING**

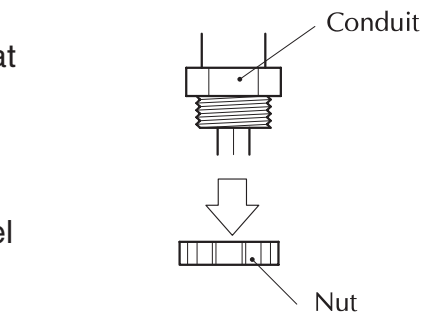
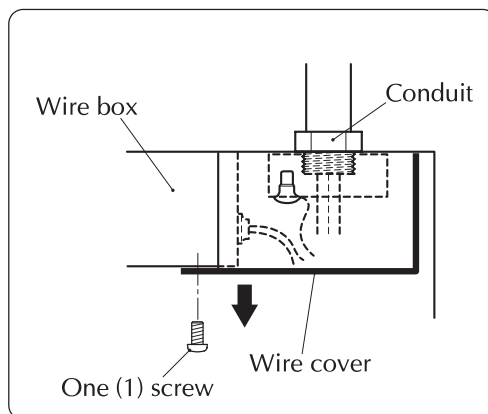
- Electrical wiring should be done by a qualified person(s) in accordance with all-applicable codes and standards, including fire-rated construction. An unqualified person doing the work could result in fire, electric shock or injury.
- This range hood uses 120V AC. Do not connect to other voltage since fire, electric shock or damage could result.

**1** Remove the nut from the conduit connector at the end of power wiring.

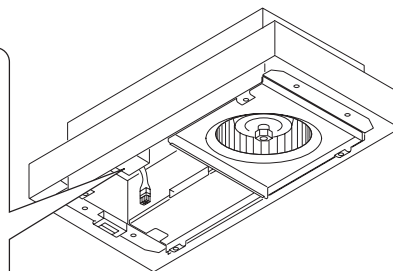
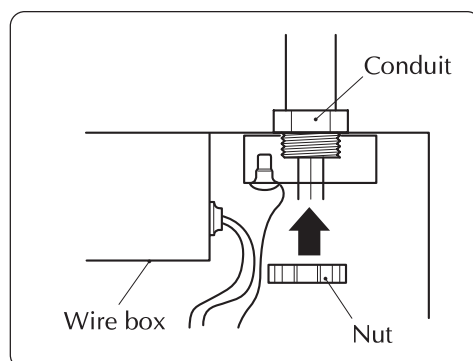
#### **WARNING**

Be sure to switch power OFF at service panel before wiring.

**2** Remove one screw fixing the wire cover and detach it.



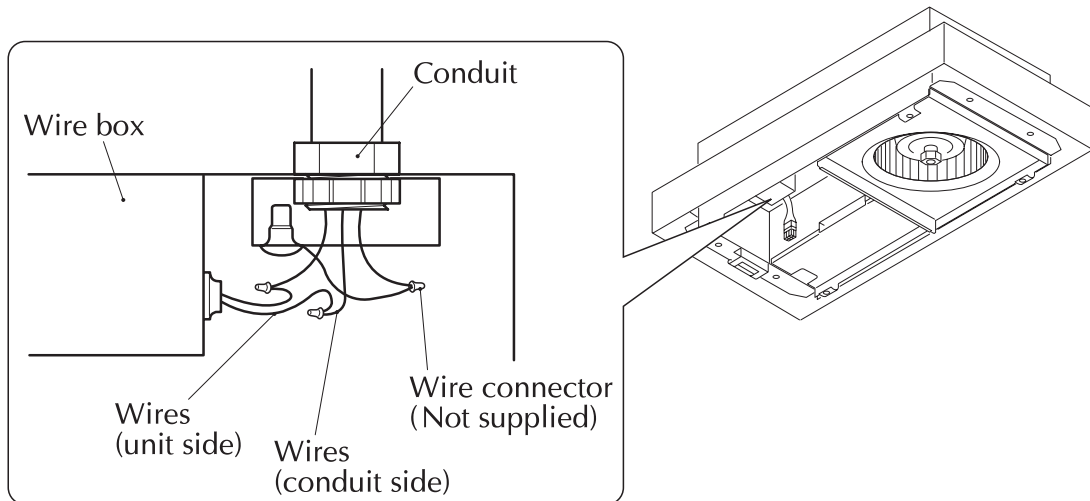
**3** Connect the conduit through the connecting hole of the body using the nut previously removed.



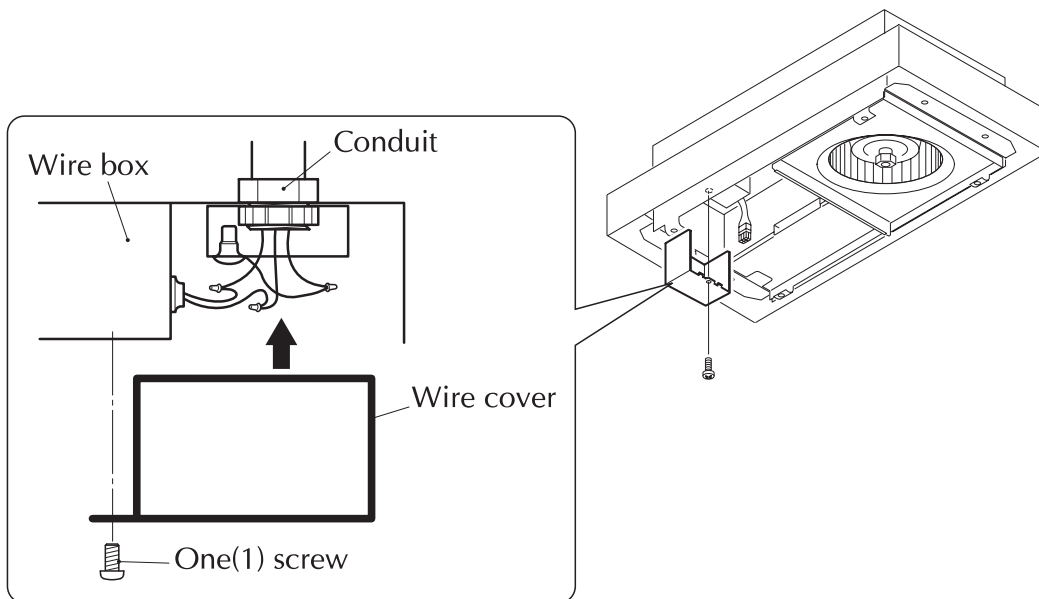
## INSTALLATION (continued)

- 4** Connect the electrical wires as follows:  
Connect wires tightly and securely using wire connectors (not supplied).

- Black to Black
- White to White
- Green to Green



- 5** Replace the wire cover with the screw removed previously. Make sure that all wires are connected properly and enclosed inside of the wiring compartment.



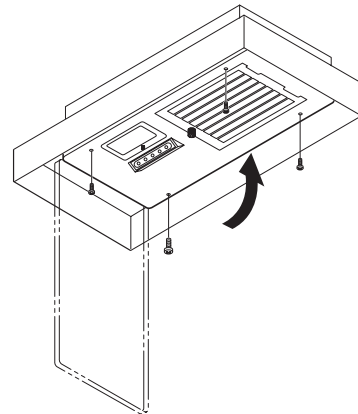
## INSTALLATION (continued)

### 4. FINAL ASSEMBLY AND CHECK

One 40 W light bulb (not supplied) can be mounted to this range hood. Prior to final assembly, install a light bulb (ordinary type, in the base diameter 17 mm), rated 120 V-40 W or below.

#### 1 Assembly

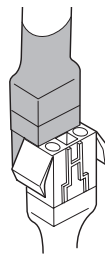
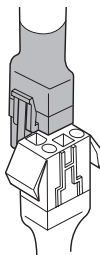
- (1) Hang the front cover on the hinge part.
- (2) Connect the wire connector and replace the front cover with 4 screws.



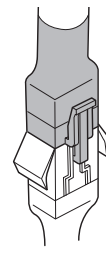
#### CAUTION

- To prevent the screw holes from being damaged, be sure to tighten the screws with the torque of 13 inch-lbs. (1.5 N-m) or less.
- Be sure to connect the wire connector rightly. Otherwise, the range hood won't work properly.

Wrong

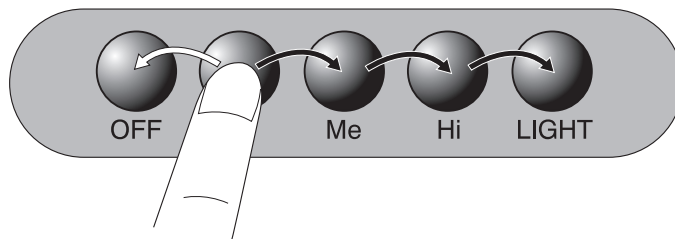


Correct



#### 2 Check

- (1) Turn on the electrical circuit to the range hood.
- (2) Make sure that the switch and light operate correctly. Refer to page 4 of the Operation Manual.
- (3) Check the ventilating functions at Hi, Me and Lo positions.
- (4) Make sure that the range hood has no abnormal noises and/or vibration.



#### ⚠ CAUTION

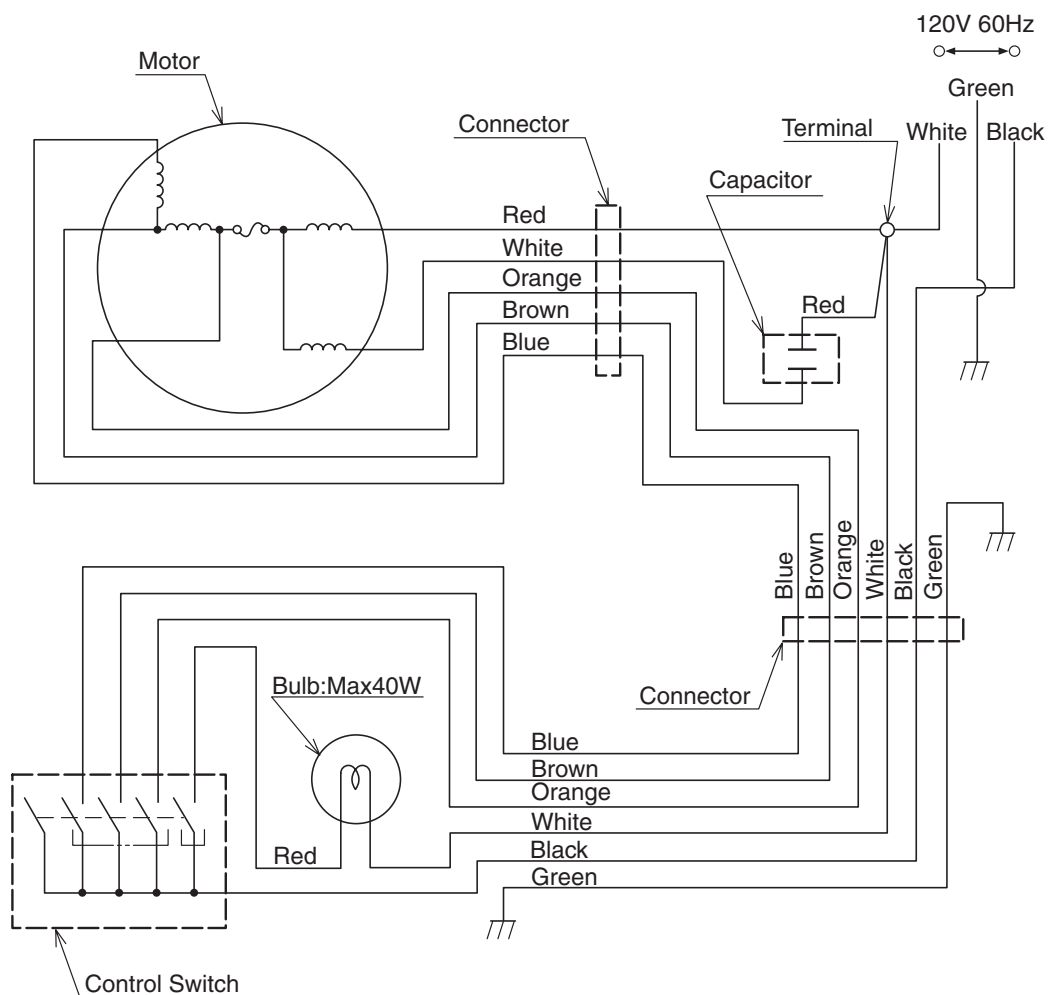
- To reduce the risk of injury, keep your hands and other objects away from the fan while it is in motion.
- Wear working gloves to avoid injury.

## INSTALLATION (continued)

### 5. EXPLANATION TO THE END USER

- (1) Refer to the Operation Manual, explain the operation of this range hood to end users.
- (2) The Installation Manual and Operation Manual should be given to the end user.

## CIRCUIT DIAGRAM



FUJIOH

Fuji Industrial USA, Inc.  
16300 Christensen Rd., Ste-212 Seattle, WA 98188-3403  
Telephone: 1-888-547-9880